



**We believe
clean air is a
fundamental
right**



BMair

Datasheet F33-R



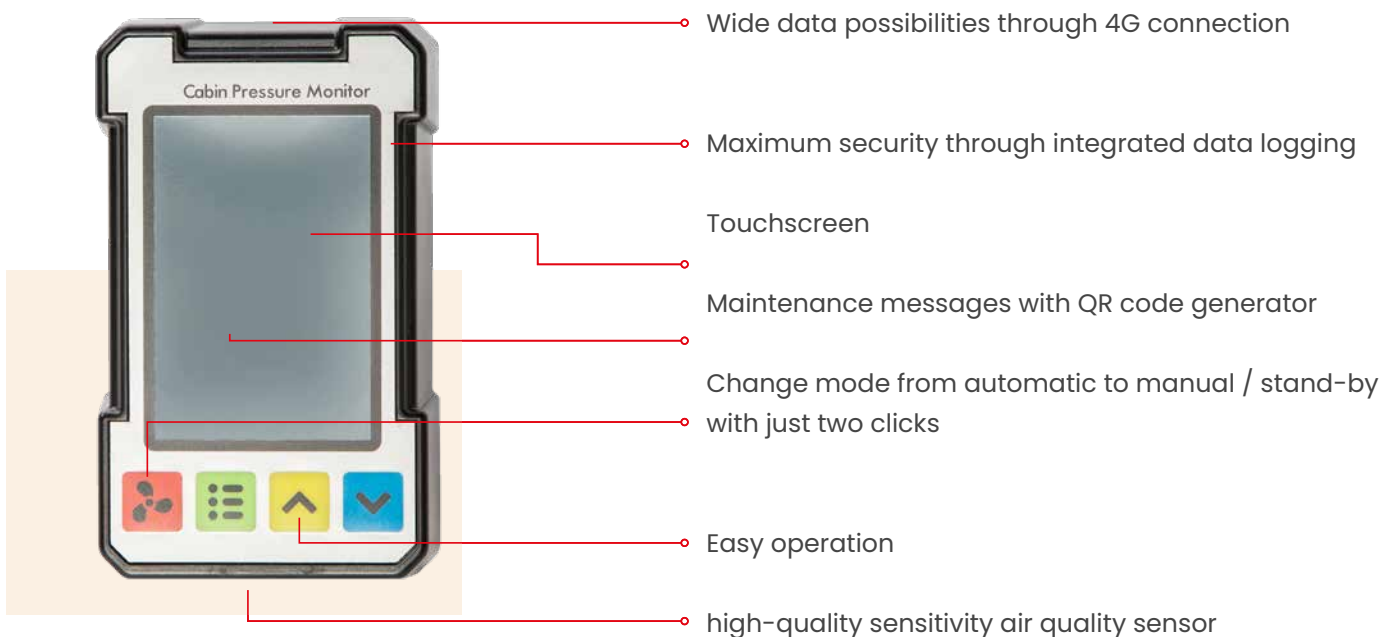
F33-R

Installing a protective ventilation system isn't always straightforward, especially when a machine's deck is cluttered with various components or lacks sufficient space, such as a small or non-existent fender. Making compromises in the capacity of a BMAir protective ventilation system like the MAO-3CG? That's not an option! Our engineers have developed the BMAir F33-R rooftop unit to maintain excellence. In fact, the system can be deployed in the most severe contaminations.



F4000 Smart Control

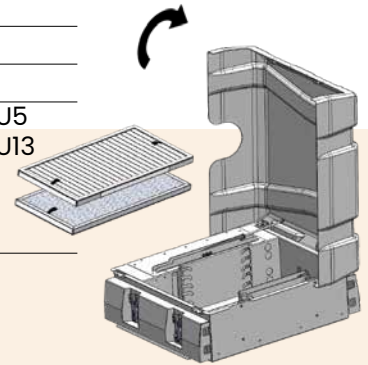
Monitoring safety within the cabin is equally crucial. Merely hearing a system running doesn't assure functionality. That's why the F33-R includes a F4000 controller as standard.



Combi filters

The BMAir filters ensure that machine drivers work more safely than ever, even in polluted work environments. Especially in polluted environments. Because our advanced and patented technology make our systems and filters exceptionally effective. Even under the harshest conditions.

Dust combination:	Type	Art. nr.
Asbestos	P1-P3/H13	VX603328EU5 VX603328EU13
Toxic particulate matter, asbestos silica dust and heavy metals. Efficiency > 99.95%		



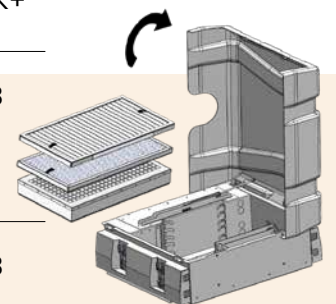
Active carbon combinations:	Type	Art. nr.
Benzene	P1-P3/H13-A	VX603328EU5 VX603328EU13 KX603392A
Vapours from solvents and hydrocarbons (e.g. diesel)		
Dredging	P1-P3/H13-ABE	VX603328EU5 VX603328EU13 KX603392ABE
Vapours from dredging spoil such as bacteria, toxic particulate matter, heavy metals and H2S		

ABE/K	P1-P3/H13-ABE-K	VX603328EU5 VX603328EU13 KX603392ABEK
Vapours such as H2S and ammonia. (caution: not for use with cyanides such as HCN)		

ABEK	P1-P3/H13-ABEK	VX603328EU5 VX603328EU13 KX603392ABEK+
Vapours from cocktail of toxic substances. In accordance with EN14387		

Ammonia/Organic waste	P1-P3/H13-A-K	VX603328EU5 VX603328EU13 KX603392AK
Vapours from waste and composting such as spores, bacteria, viruses, organic and ammonia		

AX	P1-P3/H13-A-AX	VX603328EU5 VX603328EU13 KX603392AX
Vapours from solvents and hydrocarbons with boilingpoint < 65°C		



We fight unhealthy air



BMair

Blik 8 4941SG Raamsdonksveer The Netherlands |
T. +31 416 34 00 16 | sales@bmair.com | www.bmair.com