



BMair

MAO-3 Cab Guard



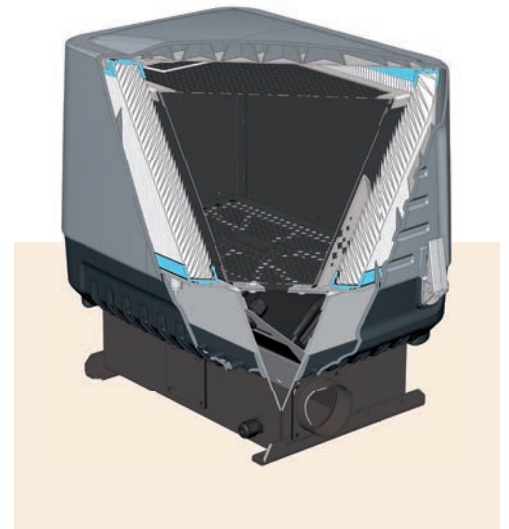
Datasheet

MAO-3 Cab Guard, now compatible with the online controller **BMair Connect**.

MAO-3 Cab Guard

Our innovation is custom-built to meet the growing demand for compact and intelligent systems, offering the flexibility to place any filter combination.

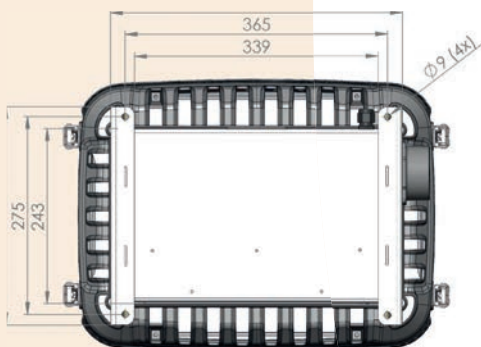
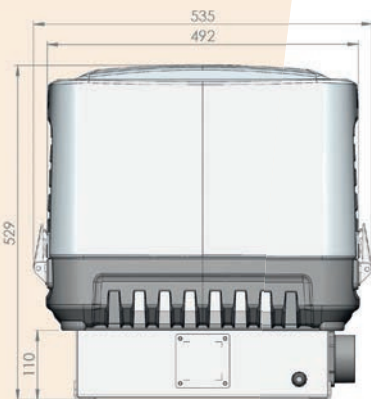
Encased within a modern, sturdy plastic housing lies a uniquely contoured self-cleaning HEPA filter boasting unparalleled capacity. Additionally, this innovative design accommodates a compact, full 10kg carbon filter. With dimensions engineered for maximum efficiency, our product ensures a filter contact time surpassing that of competitors.



Technical data

The MAO-3 Cab Guard features a compact footprint and many other technical innovations.

| | |
|--|--|
| Weight | 24kg without filters |
| Air output | Nominally 40-120 m ³ per hour |
| Voltage | 24 / 12 Volts |
| Max power consumption | 12 or 15 Ampere |
| Inclusive | Mounting material |
| Material | Stainless steel & Plastic |
| Finish | Powder coated |
| K-Factor | 3 to 10 |
| Hinged lid | No |
| Multiple discharge options | Yes |
| Seperate compartments filters harmful substances | Yes |
| Mounting position | Horizontally |
| RFID Filter recognition | Yes |
| Dust filtering | Self-cleaning HEPA filter |
| Gas filtering | Possible with 10kg act. carbon |



Filters

The MAO-3 can be used for any type of pollution. With the standard packages, the system specifically offers protection for the operator.

Each polluted environment requires a specific filter combination to remove hazardous substances and vapors as efficiently as possible. BMair offers a standard range of filters that fully cover the most common pollutants. Filters can be replaced quickly and easily without tools.

| Filterpackage | Type | Art. nr. |
|---|-------------------------------------|------------------|
| Quartz | Particulate & HEPA | CX-MAO3-PH |
| <i>Offers protection against: Toxic particulate matter, Asbestos silica dust and heavy metals.</i> | | |
| Benzene | Particulate & HEPA Carbon A | CX-MAO3-PHA |
| <i>Offers protection against: Vapours from solvents and hydrocarbons (e.g. diesel).</i> | | |
| Mercury | Particulate & HEPA Carbon ABEKHG | CX-MAO3-PHABEKHG |
| <i>Offers protection against: Organic mercury compounds (e.g., mercury, methylmercury, merbromin).</i> | | |
| Dredger | Particulate & HEPA Carbon AB | CX-MAO3-PHAB |
| <i>Offers protection against: Vapours from dredging spoil such as bacteria, toxic particulate matter, heavy metals and H2S.</i> | | |
| ABEK | Particulate & HEPA Carbon ABEK | CX-MAO3-PHABEK |
| <i>Offers protection against: Vapours from cocktail of toxic substances. In accordance with EN14387.</i> | | |
| Ammonia | Particulate & HEPA Carbon AK | CX-MAO3-PHAK |
| <i>Offers protection against: Vapours from waste and composting such as spores, bacteria, viruses, organic and ammonia</i> | | |



Dust Combination
CX-MAO3-PH



Act. Carbon Combination
CX-MAO3-PHA

BMair Connect

Always Online – A Revolution in Real-Time Monitoring

Discover BMair Connect, the innovative control unit paired with BMair MAO-3. Once activated, it autonomously manages operations, issuing immediate warnings and solutions for hazards like pressure loss or gas detection. With 24/7 real-time online access, it ensures continuous monitoring and control.



- ★ Connected to the BMair Connect Portal for direct access to current information of the respective machine(s)
- ★ Take advantage of fully automated filter registration and logging thanks to the patented RFID technology.
- ★ View and download maintenance reports easily directly from the portal.

To monitor the air quality in cabins, plug-and-play sensors are available. In environments where carbon filters are installed, it is recommended – and often mandatory – to place a sensor. For BMair Connect, various types of sensors are available, including VOC, NH3, and CO2.

We believe clean air is a fundamental right



BMair Protector

The base can be used stand-alone for ultimate dust filtration, but can later be easily expanded with the Plus X or Y.



BMair MAO-3C

The multifunctional system, to be installed on the deck, characterized by its small footprint.



Plus X

The modular expansion for the use of activated carbon, characterized by the compact design and limited height.



BMair

BMair International B.V. (HQ)

Bliek 8 | 4941 SG Raamsdonksveer
The Netherlands
+31 416 340 016 | sales@bmair.com
www.bmair.com

BMair PVS UK Ltd.

Profile West Suite 2, Floor 1 950 Great
West Road, Brentford England, TW8 9ES
+44 7542 602 936 | sales.uk@bmair.com
www.bmair.com

BMair USA Inc.

118 Vintage Park Blvd Suite W
Houston TX 77070
+31 416 340 016 | info.usa@bmair.com
www.bmair.com